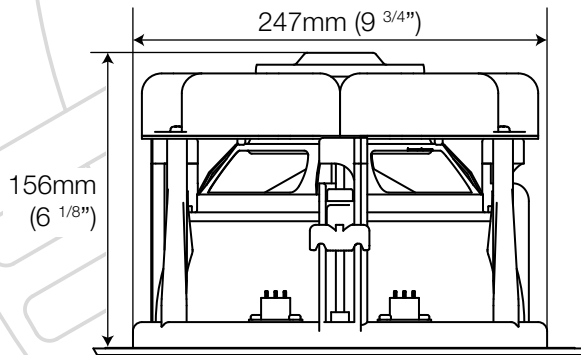


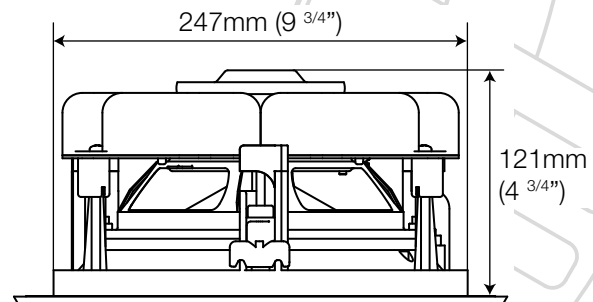


CUSTOM INSTALLATION

Tri-Grip x 3
= 5Kgf/cm; 4.34 lbf/inch; 0.5 NM



C280-IDC, C380-IDC, C380-FX



C180, C180-T2, C280