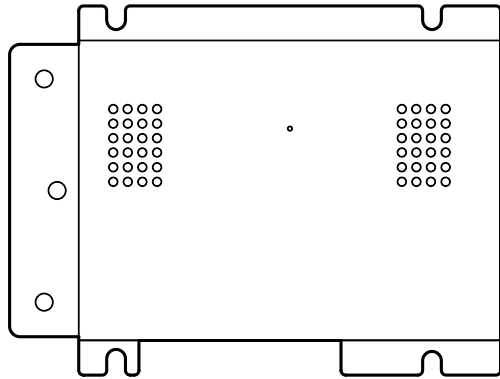


Quick start instructions



S7 NetConnect

S7 NetConnect - Hi-Res Network Amplifier

SN1210

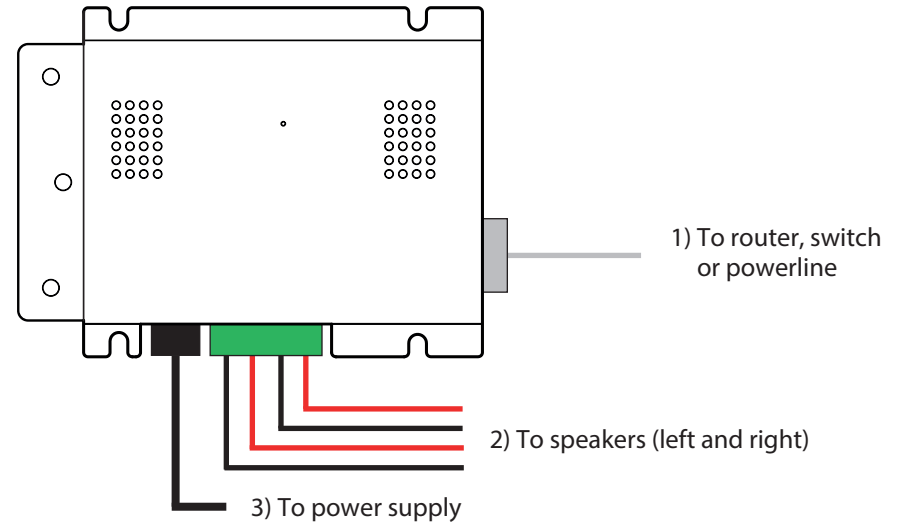
Q16761-IS_r2

NetConnect pack contents

- 1 x NetConnect amp
- 2 x IMO speaker connectors
- 1 x Power supply
- 1 x Mains cable
- 1 x Quick start instructions

During setup only one NetConnect should be connected to the network

1 Make connections in order shown below



2 Open a web browser and type `//netconnect` into the address bar to open quick setup



3 Set NetConnect Mode to Master using drop down box



NetConnect Quick Setup

'How To' videos

Advanced Setup

IMPORTANT: Only one NetConnect in your system should be in MASTER mode.
If you are using a S7 NetServer then all NetConnects must be set to SLAVE mode.

NetConnect Mode: MASTER

5 If set to Master set your Time Zone using the dropdown box and press save, if set to Slave press save there is no option for time zone



NetConnect Quick Setup

'How To' videos

Advanced Setup

IMPORTANT: Only one NetConnect in your system should be in MASTER mode.
If you are using a S7 NetServer then all NetConnects must be set to SLAVE mode.

NetConnect Mode: MASTER

Zone Name: Kitchen

Timezone: UTC (BST)

Save

4 Enter your Zone Name into the box (Kitchen, Dining etc)



NetConnect Quick Setup

'How To' videos

Advanced Setup

IMPORTANT: Only one NetConnect in your system should be in MASTER mode.
If you are using a S7 NetServer then all NetConnects must be set to SLAVE mode.

NetConnect Mode: MASTER

Zone Name: Kitchen

6 Download and install Systemline 7 app and follow on-screen instructions

