




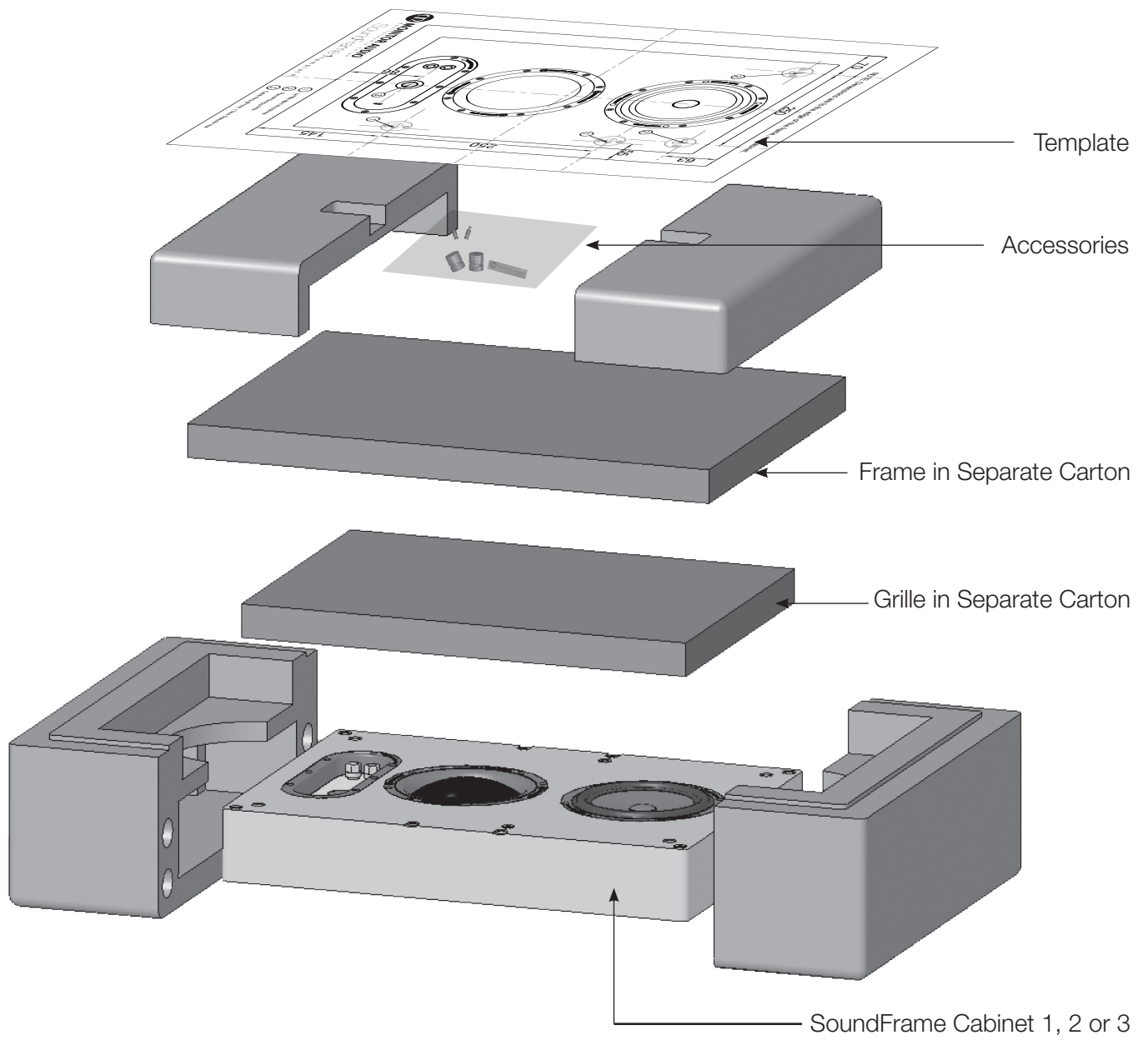


SoundFrame

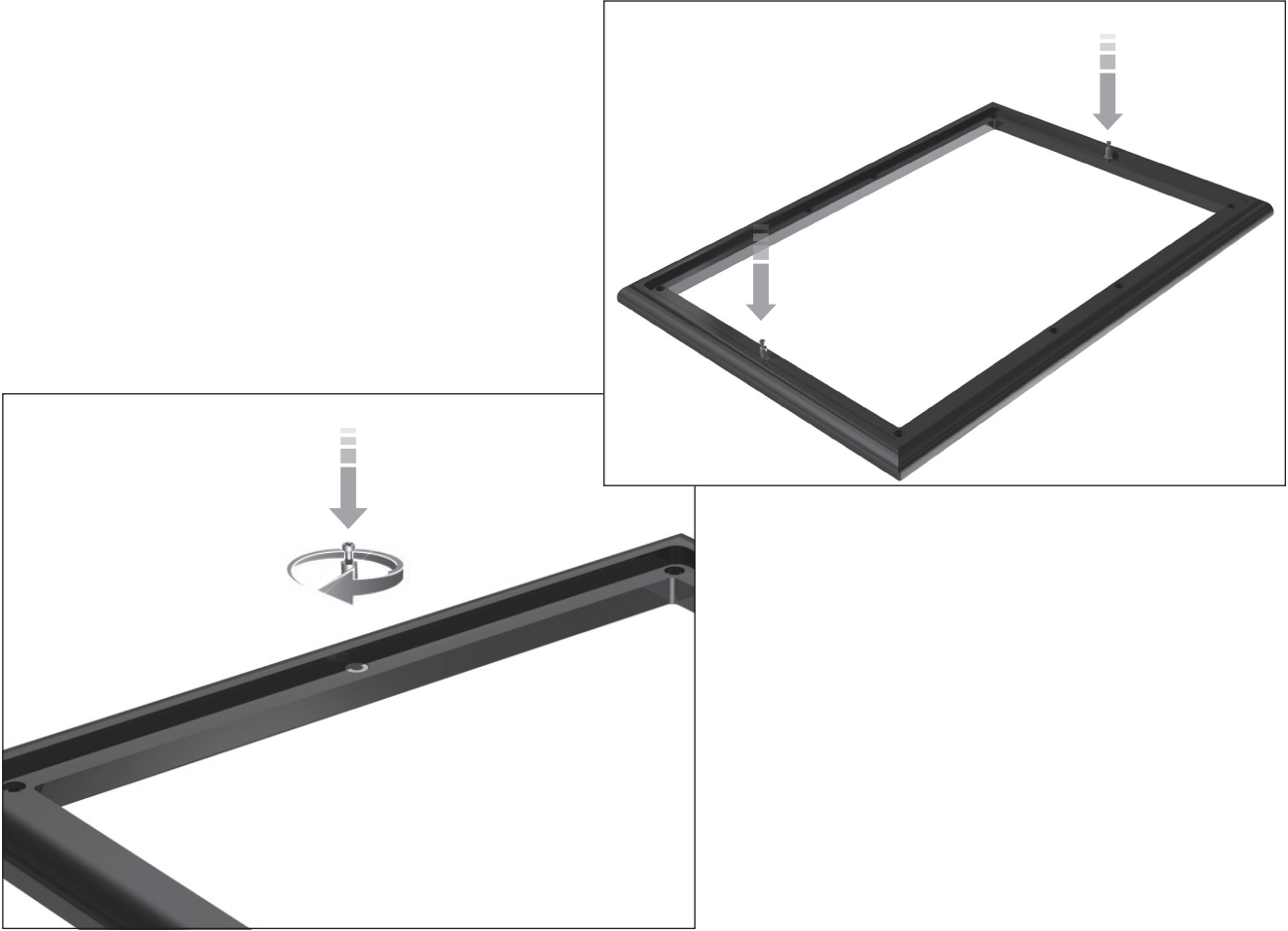
Installation Information

In the box.

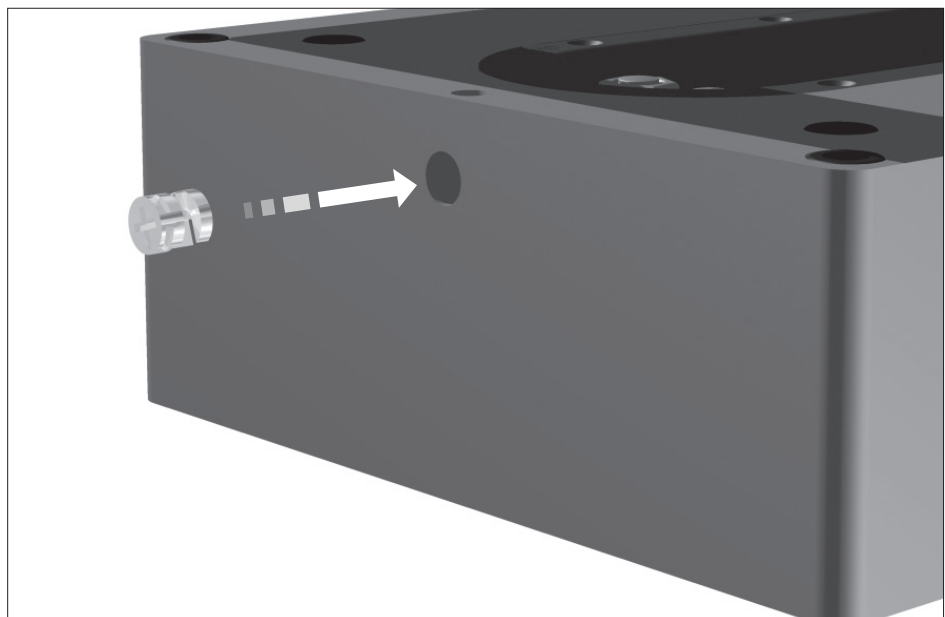
 MONITOR AUDIO Grille Badge	x1
 Frame Peg	x2
 Frame Cam	x2



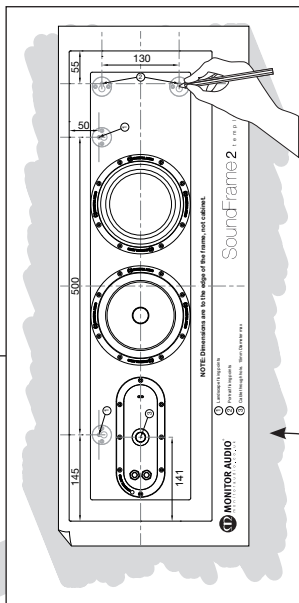
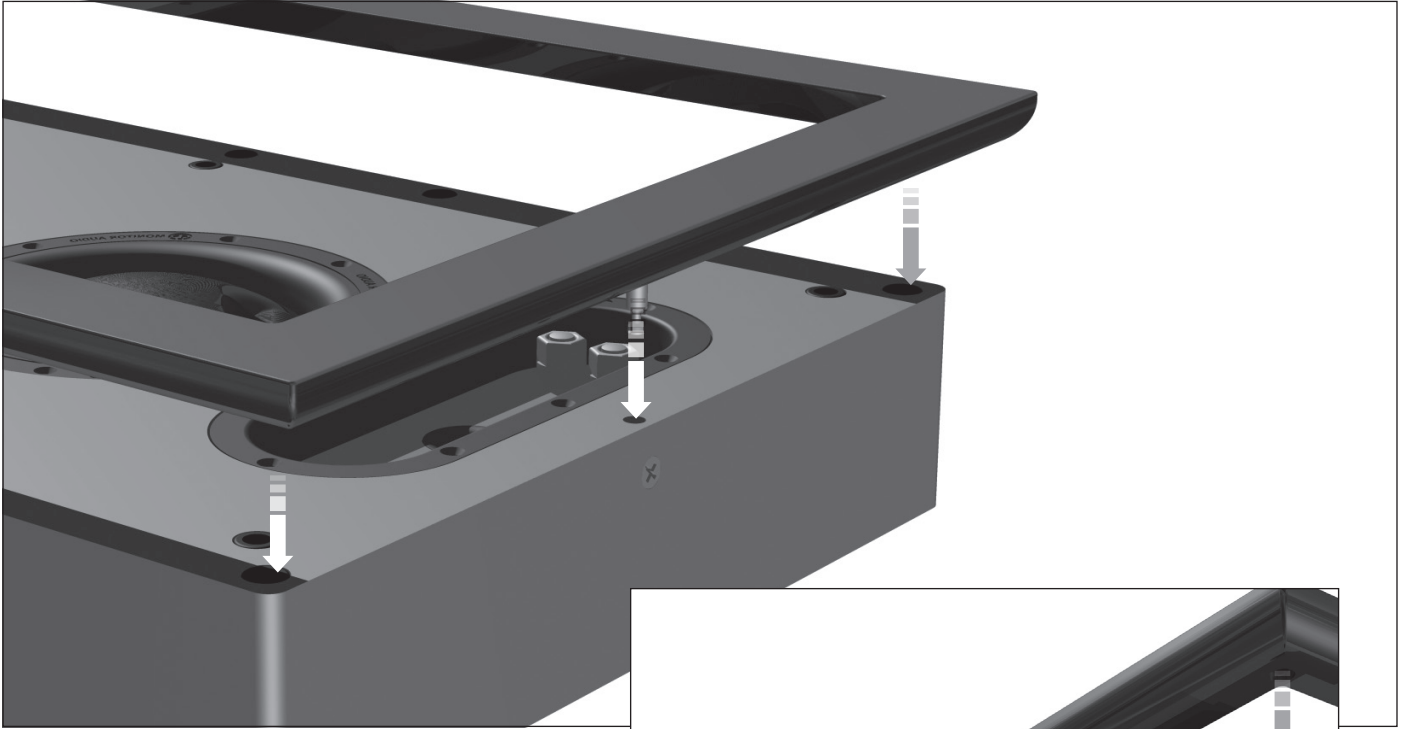
1 Fix the pegs to the frame.



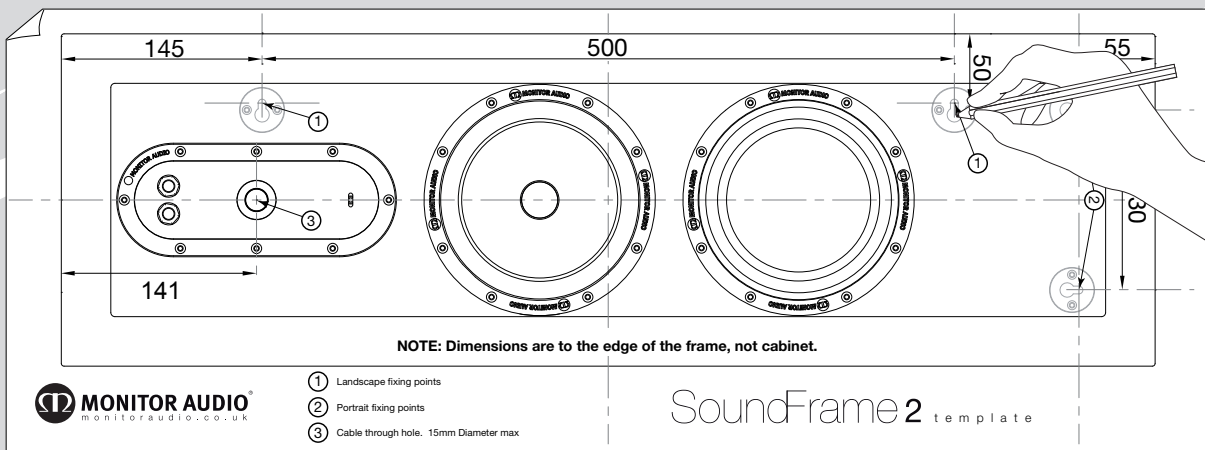
2 Cam Lock.



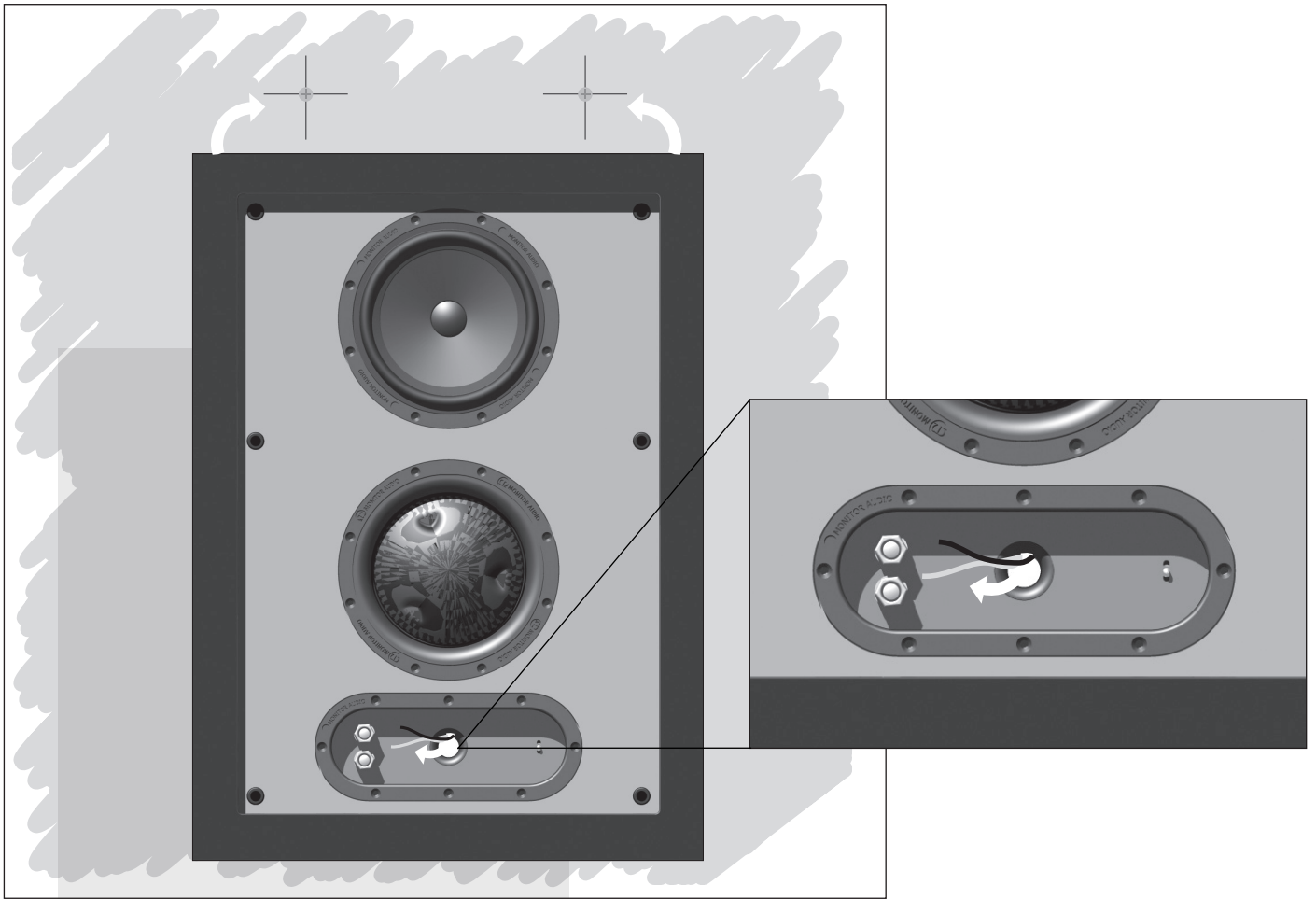
3 Attach frame to cabinet.



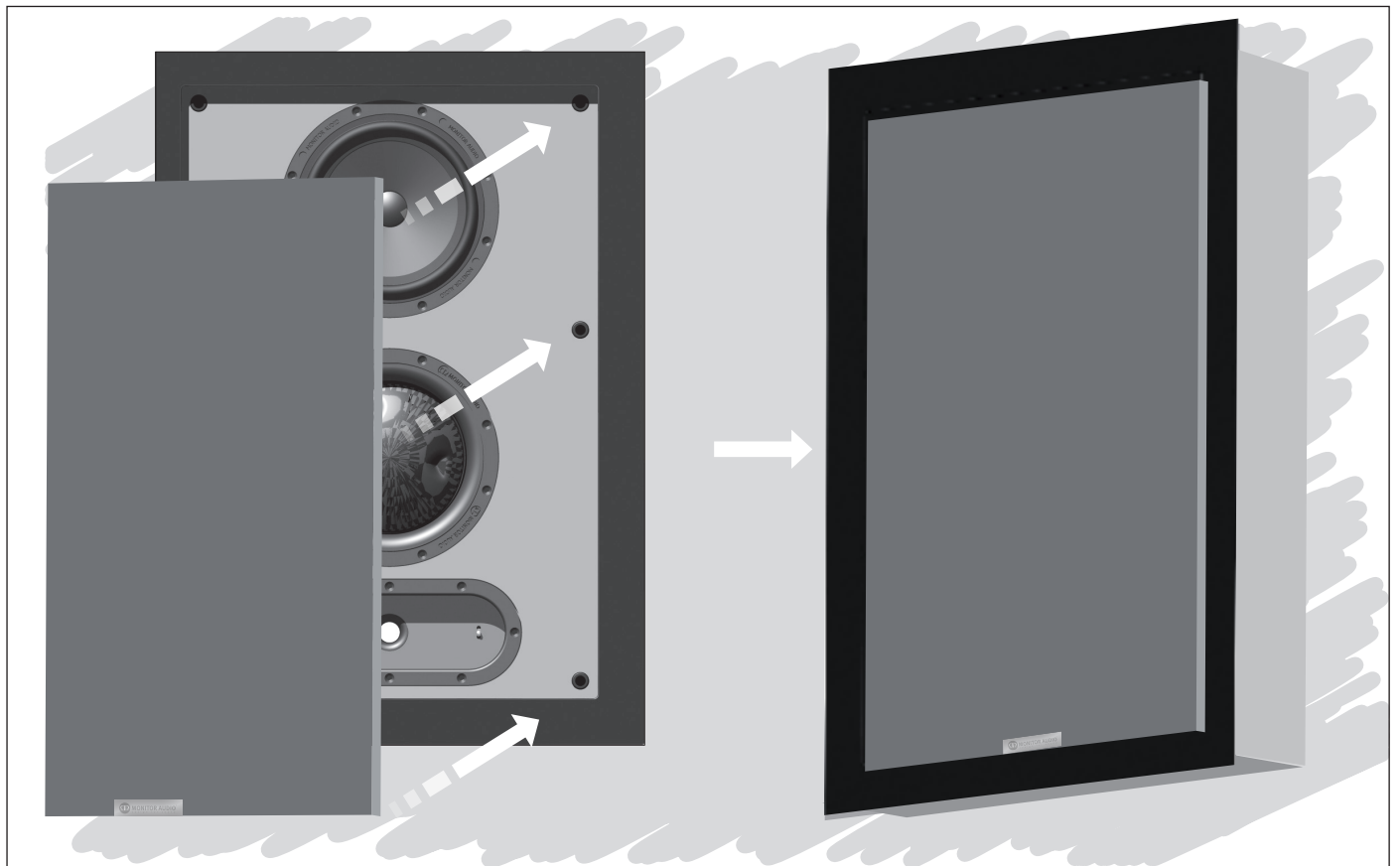
4 Mark wall using template before drilling & attaching fixings.



5 Feed wires through back and hang cabinet.



6 Fit badge to grille and then fit grille.

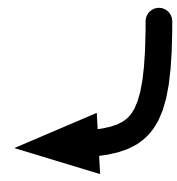
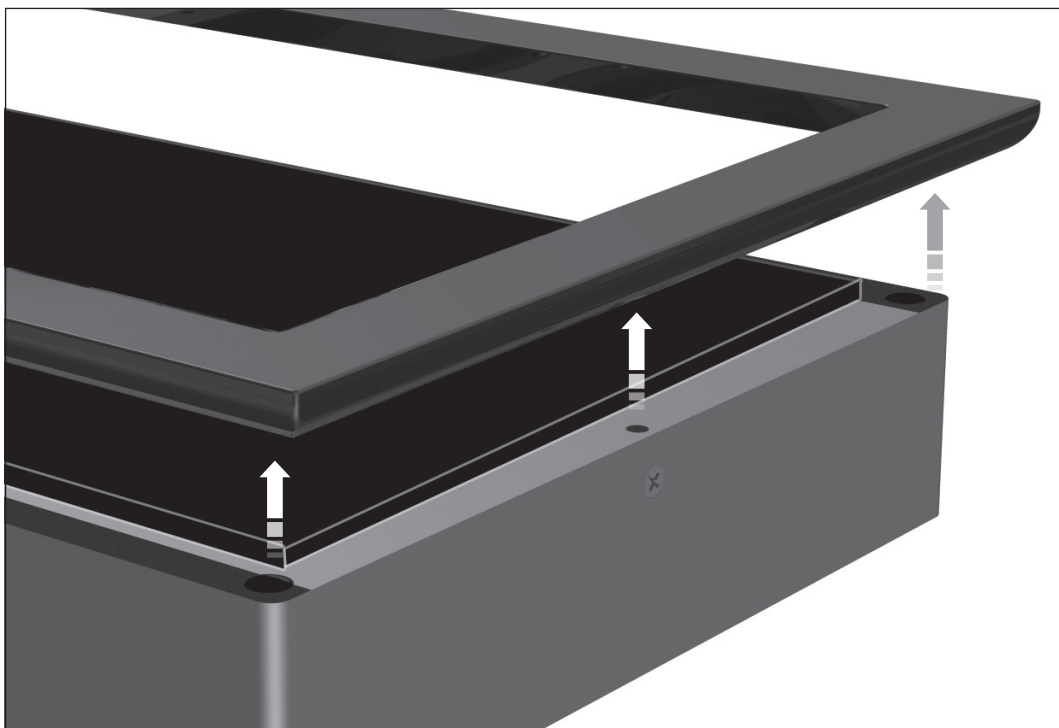
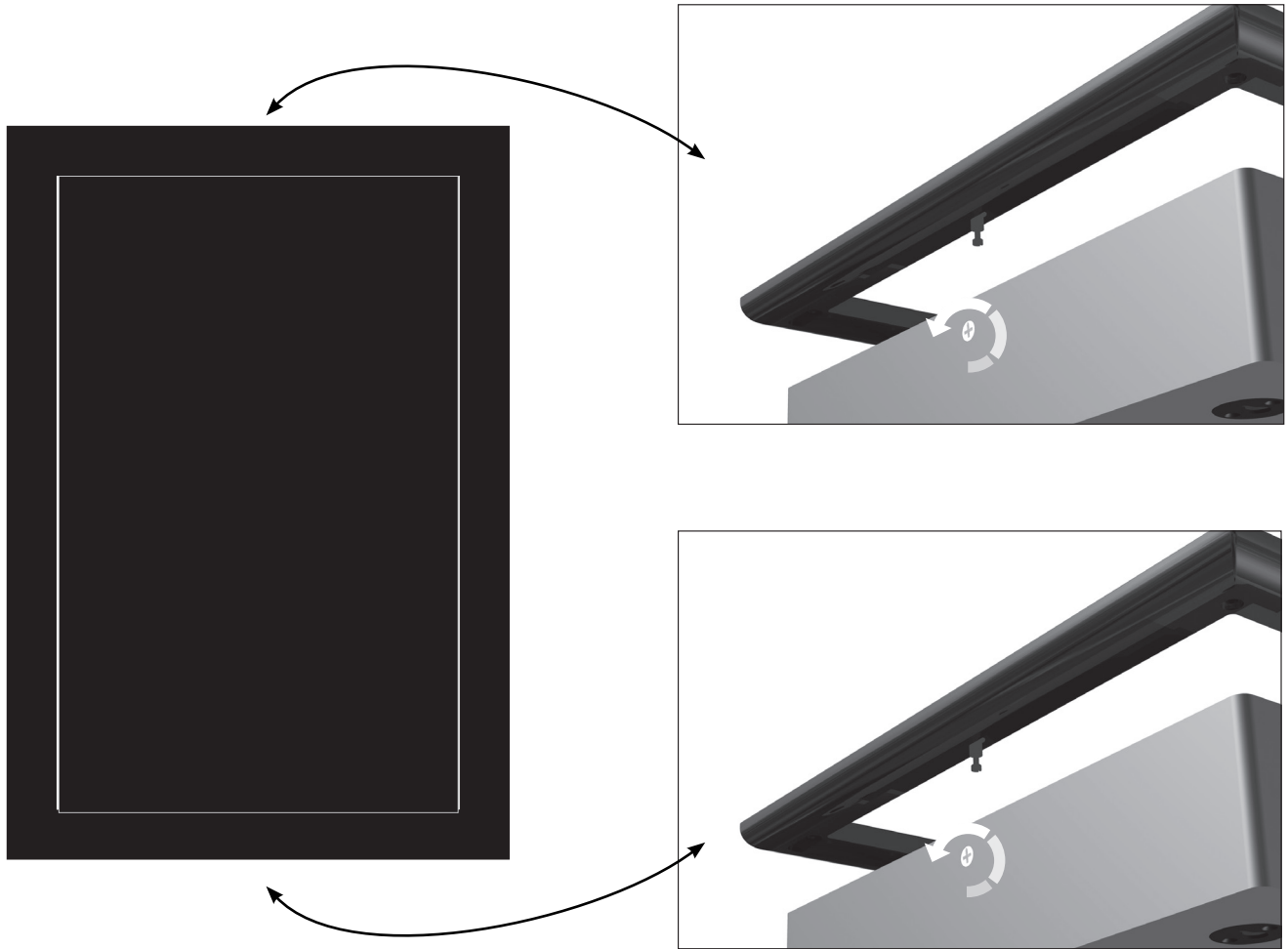


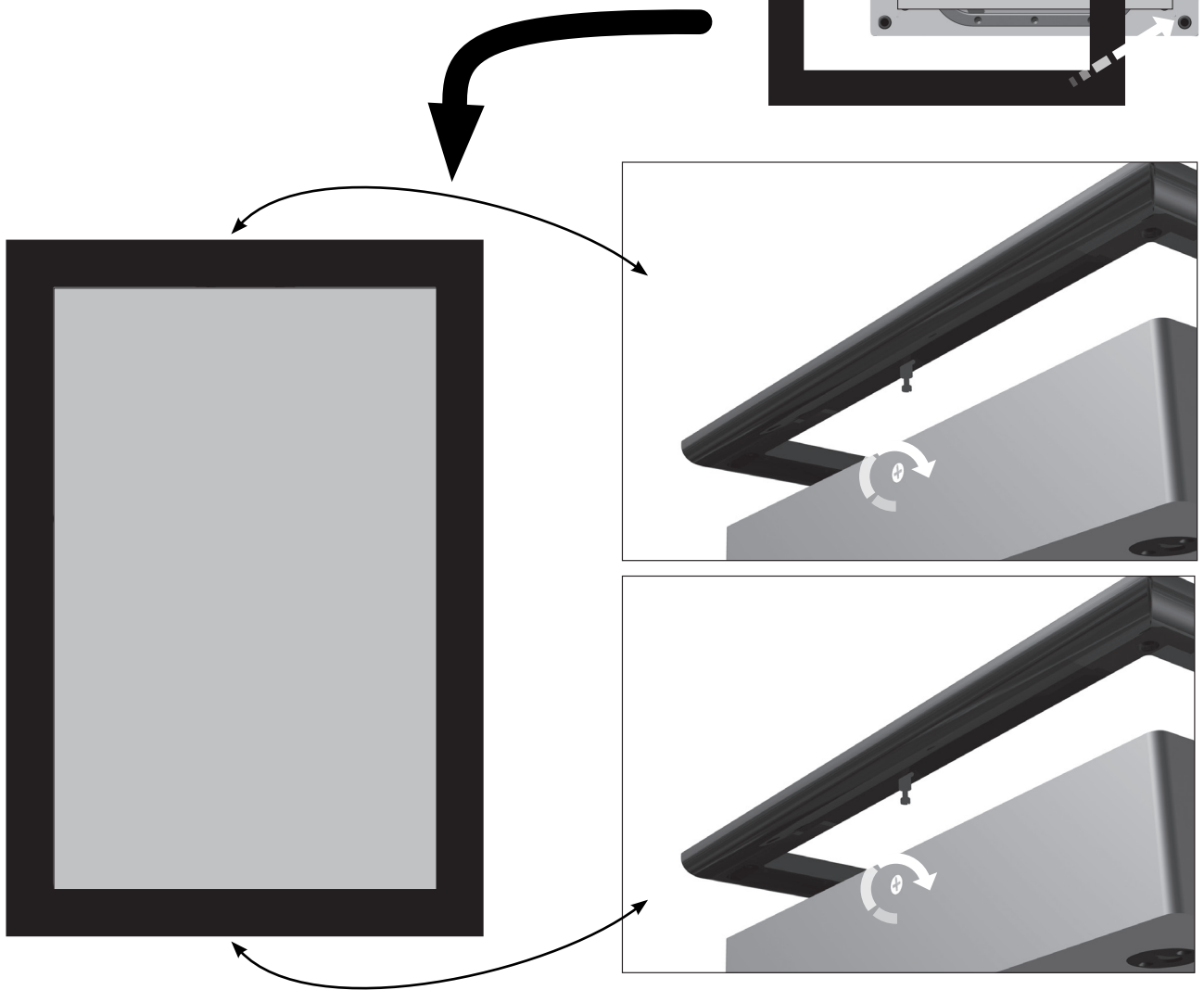
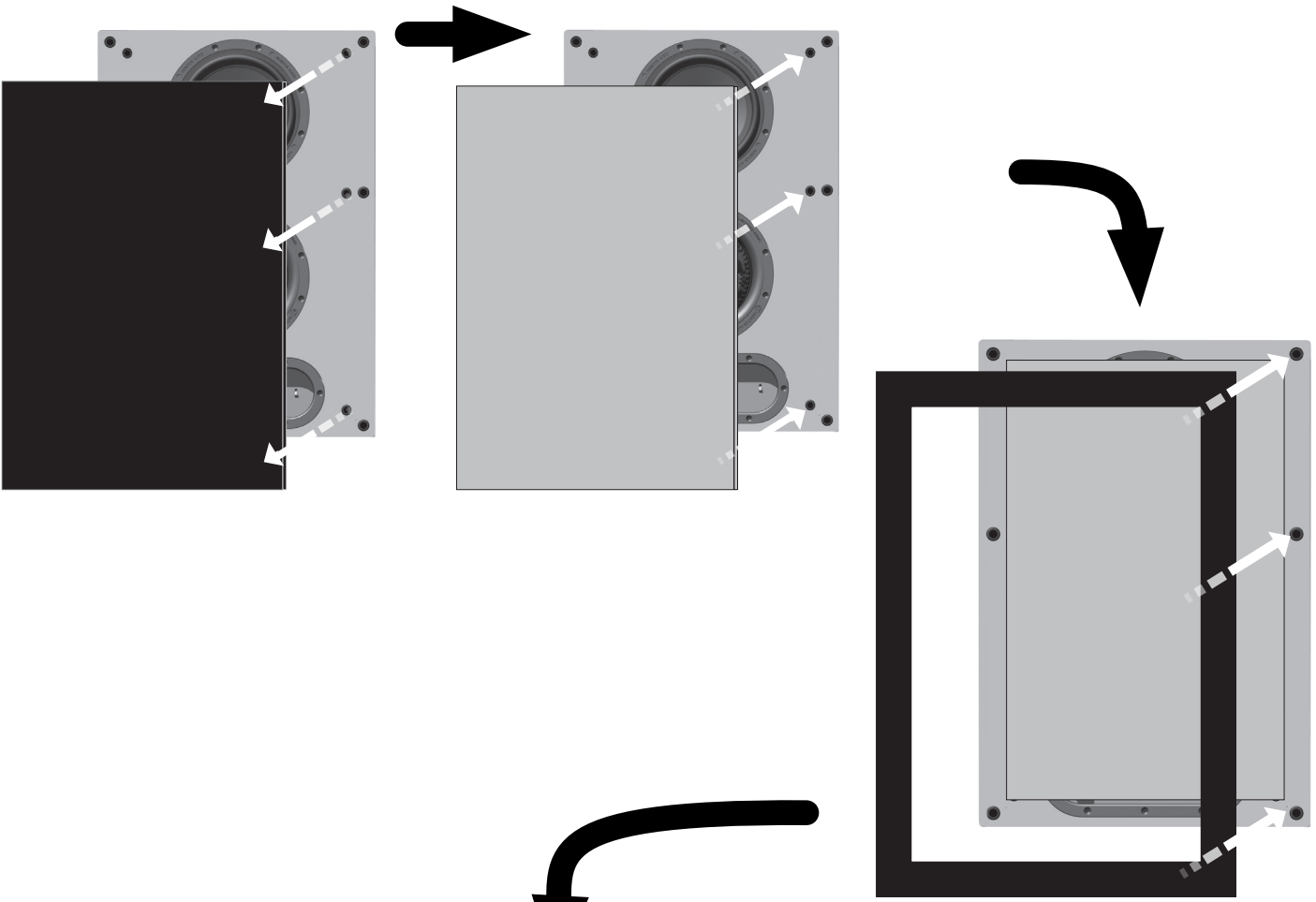
Grille removal and Installation guide

Grille détachable et guide d'installation

Installationshandbuch

Guía de reemplazo e instalación de rejillas





Specifications:

Specifications

Frequency Response

Sensitivity

System Configuration

Driver Compliment:

Nominal Impedance

Maximum SPL (each @1m)

Recommended Amplifier Requirements (RMS). Watts

Bass Alignment

Power Handling (RMS). Watts

Crossover Frequency

Overall Dimensions (including frame)
(H x W x D)

Weight. Kg (lb)

Finishes

Sound Frame 1

55Hz – 35kHz

86dB

3 way

1 x 6.5" C-CAM® mid/bass driver with RST®II technology.

1 x 4" IDC® mid-range driver with dual concentric 25mm C-CAM® gold dome tweeter.

8 Ohms

106 dBA

25-100

Sealed Box

100

550Hz & 3.3KHz

539 x 389 x 87.5mm
(21 1/4 x 15 1/4 x 3 7/16")

7.44 (16.37)

*Matt white cabinet with white high gloss piano lacquer frame.

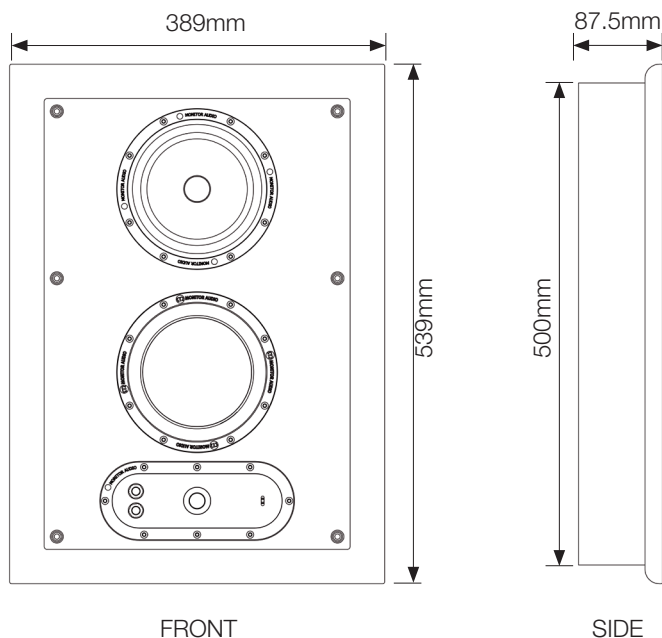
*Matt black cabinet with black high gloss piano lacquer frame.

*Matt white cabinet with white primed frame (paint-able).

White Lacquer

Black Lacquer

Primer



Specifications

Frequency Response

Sensitivity

System Configuration

Driver Compliment:

Nominal Impedance

Maximum SPL (each @1m)

Recommended Amplifier
Requirements (RMS). Watts

Bass Alignment

Power Handling (RMS). Watts

Crossover Frequency

Overall Dimensions (including frame)
(H x W x D)

Weight. Kg (lb)

Finishes

Sound Frame 2

55Hz – 35kHz

86dB

3 way

1 x 6.5" C-CAM® mid/bass driver with
RST®II technology.

1 x 4" IDC® mid-range driver with dual
concentric 25mm C-CAM® gold dome
tweeter.

8 Ohms

106 dBA

25-100

Sealed Box

100

550Hz & 3.3KHz

790 x 240 x 87 mm
(31 x 9 ^{7/16} x 3 ^{7/16} ")

7.06 (15.53)

*Matt white cabinet with white high gloss
piano lacquer frame.

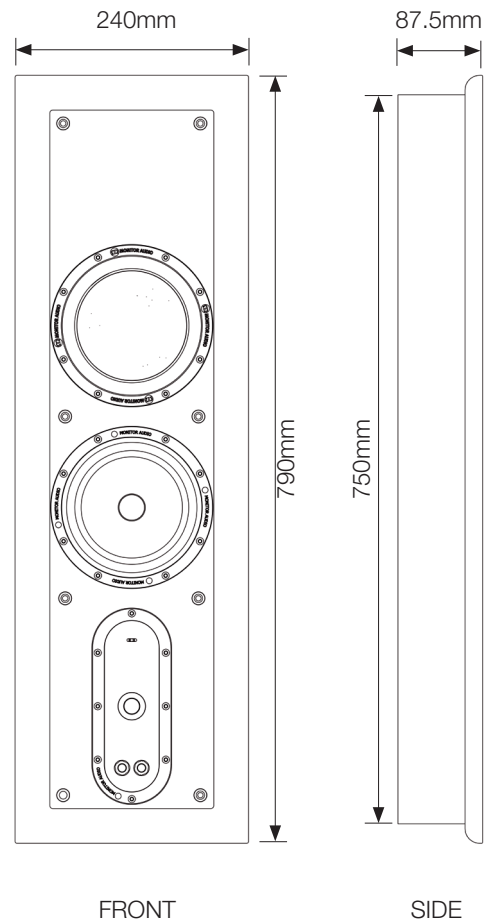
*Matt black cabinet with black high gloss
piano lacquer frame.

*Matt white cabinet with white primed frame
(paint-able).

White Lacquer

Black Lacquer

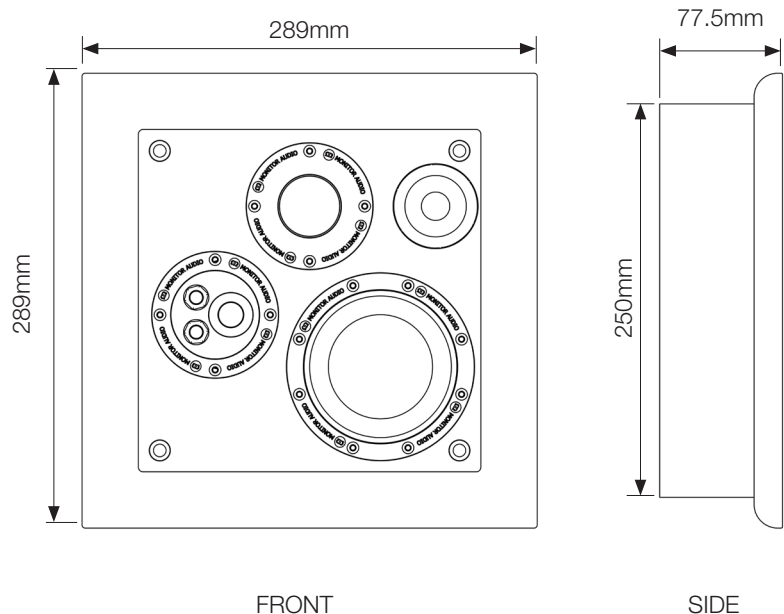
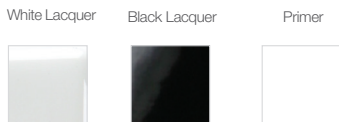
Primer



Specifications

Frequency Response	75Hz – 35kHz
Sensitivity	85dB
System Configuration	2 way
Driver Compliment:	1 x 4" MMP®II mid/bass driver with. 1 x 25mm C-CAM® gold dome, pivoting tweeter.
Nominal Impedance	8 Ohms
Maximum SPL (each @1m)	102.5 dBA
Recommended Amplifier Requirements (RMS). Watts	25-50
Bass Alignment	Bass Reflex
Power Handling (RMS). Watts	50
Crossover Frequency	3.2kHz
Overall Dimensions (including frame) (H x W x D)	289 x 289 x 77.5mm (11 ^{3/8} x 11 ^{3/8} x 3 ^{1/16} "
Weight. Kg (lb)	2.75 (6.05)
Finishes	*Matt white cabinet with white high gloss piano lacquer frame. *Matt black cabinet with black high gloss piano lacquer frame. *Matt white cabinet with white primed frame (paint-able).

Sound Frame 3





Monitor Audio Ltd
24 Brook Road, Rayleigh
Essex, SS6 7XJ
England
Tel: + 44 (0)1268 740580
Fax: + 44 (0)1268 740589
Email: info@monitoraudio.co.uk

monitoraudio.com
Designed in the United Kingdom
Version 2.