

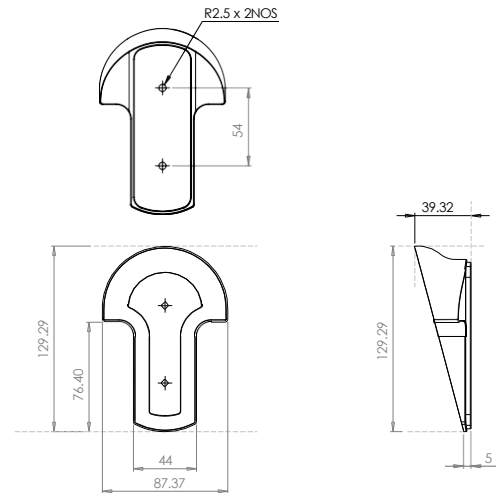
## SM-WM Wall Mount for Sonos Move



This Flexson Wall Mount for Sonos Move allows you to mount your Sonos Move safely and securely, both indoors or out, freeing up valuable surface space in your home or garden. By mounting the Sonos Move on a wall, you not only keep it safe from inquisitive toddlers and pets, you can also position your speaker at the perfect height for enhanced sound projection.

Like all Flexson products, the Flexson Wall Mount for Sonos Move is precision engineered in the UK, easy to fit and comes with all the fixings you need.

- Suitable for use indoors and outdoors
- Ergonomic design
- Quick and easy to fit
- Once fitted, Sonos Move can easily be mounted/unmounted as you move it around
- Precision engineered from UV resistant ABS
- Includes fixing hardware for Brick/Masonry and Wood/Studwork
- Designed in the UK



	Black	White		
Product Code	<b>FLXSMWM1022</b>	<b>FLXSMWM1012</b>		
UPC Number	<b>5057964002231</b>	<b>5057964002248</b>		
UK, European and US (SRP)	<b>£19.99</b>	<b>€19.99</b>	<b>\$19.99</b>	
Millimetres / Kilograms	Height	Width	Depth	Weight
Product Size	<b>129.29</b>	<b>87.37</b>	<b>39.32</b>	<b>0.10</b>
Millimetres / Kilograms	Length	Width	Height	Weight
Retail Carton	<b>140</b>	<b>92</b>	<b>39</b>	<b>0.12</b>
Carton Contents	<b>1 x Sonos Move Wall Mount, Fitting Hardware, Instructions</b>			
Outer Carton Quantity	<b>12</b>	Country of Manufacture	<b>China</b>	